

ANGLED SOCKET WRENCHES 6-POINT X 6-POINT - METRIC



Description :

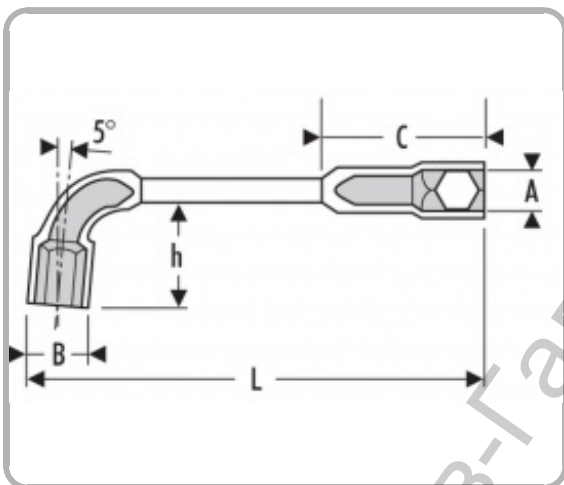
- ISO 691 - ISO 2236
- The specific angle offers increased torque application.
- The opening allows a threaded rod to be passed through for nuts on a long thread and also enables the use of a bar to increase torque application.
- The deep punch in the heads allows for tightening even when the threaded rod protrudes.
- Forged in Chrome Vanadium steel.
- High chrome finish.

H1 [mm] :

15

Conditioning :

1



References :

	EAN	A [mm]	B [mm]	C [mm]	L [mm]	[g]
E113393	3258951133934	6	10	21	102	35
E113394	3258951133941	7	11	22	106	45
E113395	3258951133958	8	12.5	25	114	60
E113396	3258951133965	9	13.5	26	122	75
E113397	3258951133972	10	15	28	129	85
E113398	3258951133989	11	16.5	30	136	115
E113399	3258951133996	12	18	36	144	145
E113400	3258951134009	13	19.5	38	152	170

<u>E113401</u>	3258951134016	14	21	40	160	200
<u>E113402</u>	3258951134023	15	22.5	42	169	230
<u>E113403</u>	3258951134030	16	24	46	178	290
<u>E113404</u>	3258951134047	17	25.5	48	187	310
<u>E113405</u>	3258951134054	18	26.5	50	195	325
<u>E113406</u>	3258951134061	19	28.5	51	204	420
<u>E113407</u>	3258951134078	20	29.5	53	212	440
<u>E113408</u>	3258951134085	21	30.5	55	221	490
<u>E113409</u>	3258951134092	22	32	57	230	530
<u>E113410</u>	3258951134108	23	33.5	64	240	650
<u>E113411</u>	3258951134115	24	34.5	67	250	660
<u>E113412</u>	3258951134511	25	36	69	260	845
<u>E113413</u>	3258951134122	26	37	70	270	985
<u>E113414</u>	3258951134139	27	38.5	73	280	1215
<u>E113415</u>	3258951134153	32	44.5	88	330	1450
<u>E113451</u>	3258951134528	28	39.5	75	290	840
<u>E113452</u>	3258951134535	29	41	76	300	1035
<u>E113453</u>	3258951134146	30	42	83	310	1085
<u>E113454</u>	3258951134542	31	43.5	86	320	1352
<u>E113455</u>	3258951134559	34	47.5	95	350	1550
<u>E113456</u>	3258951134566	35	48.5	96	360	1643
<u>E113457</u>	3258951134573	36	49.5	97	370	1758